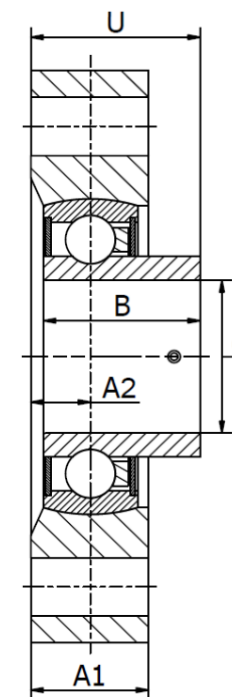
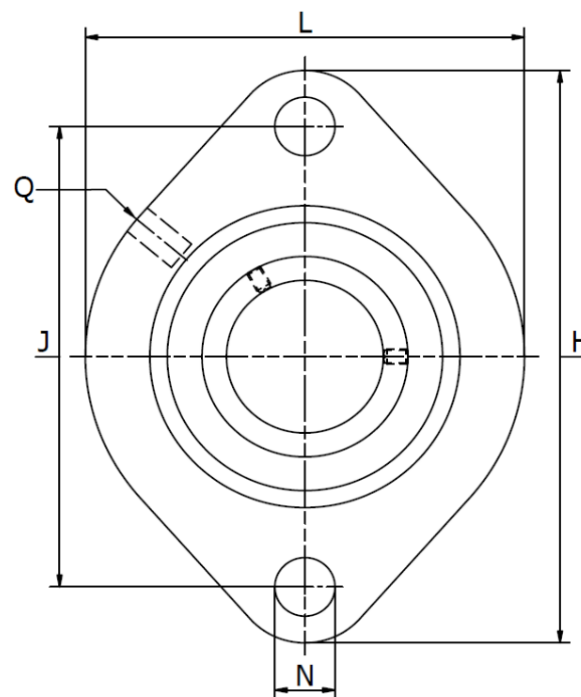
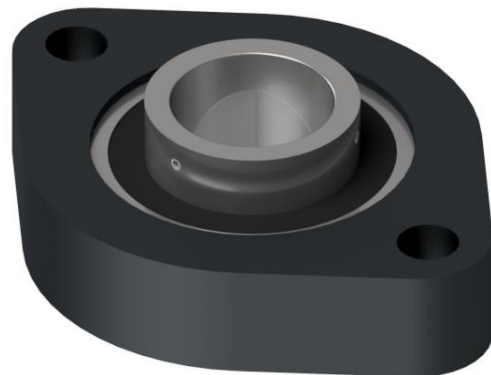




OWFK .. S series (GLCTEY/FLCTEY)

Normal duty, set-screw locking, GLCTEY = with greasebore, FLCTEY = without greasebore.



Part No.	d mm	Dimensions (mm)								Q	Bearing No.	Weight (kg)
		H	U	A ₁	A ₂	B	J	L	N			
OWFK 12 S	12	81,0	24,4	15,0	8,4	22,0	63,5	58,7	6,6	M6 - 90° lubrication hole	SB 201	0,28
OWFK 15 S	15	81,0	24,4	15,0	8,4	22,0	63,5	58,7	6,6	M6 - 90° lubrication hole	SB 202	0,27
OWFK 17 S	17	81,0	24,4	15,0	8,4	22,0	63,5	58,7	6,6	M6 - 90° lubrication hole	SB 203	0,26
OWFK 20 S	20	90,5	27,0	17,0	9,5	25,0	71,4	66,5	9,0	M6 - 45° lubrication hole	SB 204	0,36
OWFK 25 S	25	97,0	29,4	17,5	9,9	27,0	76,2	71,0	9,0	M6 - 45° lubrication hole	SB 205	0,44
OWFK 30 S	30	112,5	32,4	20,5	11,4	30,0	90,5	84,0	11,5	M6 - 45° lubrication hole	SB 206	0,70
OWFK 35 S	35	126,0	37,9	22,0	12,4	35,0	100,0	94,0	11,5	Rp 1/8" - 90° lubrication hole	SB 207	0,93
OWFK 40 S	40	150,0	42,5	24,0	13,5	39,5	119,0	100,0	14,0	Rp 1/8" - 90° lubrication hole	SB 208	1,18